

Safe T Bar, Inc.



a safety product that
won't let you down.



SAFE T BAR, INC.
16325 Forest Blvd. No.
Hugo, MN 55038
1 800 444-8855

It's
Safe T Bar™

Look Inside to Find Quality Grab Bars for Your Home or Business.

quality bars made in the United States



SAFE T BAR™ grab bars are individually inspected and boxed to ensure the quality you deserve. Also included are #10 philips head 304 stainless steel screws for standard mounting.



PVD COATED grab bars are hand mirrored for a flawless appearance, then coated in a variety of lifetime finishes. Included is SAFE T BAR's exclusive concealment ring kit.

SAFE T BAR™ grab bars are constructed of type 304 non-magnetic stainless steel 18-8 chromium nickel. And, exceed all federal requirements and ADA codes.



a great appearance and added safety

POWDER COATED grab bars are baked at 350° to acquire a beautiful cosmetic appeal at a modest price. Included is SAFE T BAR's exclusive concealment ring kit.



the non-slip bar that doesn't slip.



GRIP TIGHT™ is an exclusive SAFE T BAR™ feature. The stainless steel bar is permanently etched to maintain an effective grip even with wet and soapy hands.

It's
Safe T Bar™

SAFE T BARs can be added anywhere you need to grab on.

a wide variety of bars to meet every need



GT is a standard grab bar with our exclusive Grip Tight™ surface with grey appearance. Knuckles are brushed stainless steel with exposed flanges.



GTC is a standard grab bar with our exclusive Grip Tight™ surface with grey appearance. Knuckles are brushed stainless steel with Safe T Ring™ concealment flanges.



MSGT is a mirrored stainless grab bar with our exclusive Grip Tight™ surface with grey appearance. Knuckles are chromed with Safe T Ring™ concealment flanges.



W has a baked on white powdercoat finish over 304 stainless steel. Comes complete with Safe T Ring™ concealment flanges.



WGT has a baked on white powdercoat finish with our exclusive Grip Tight™ surface and Safe T Ring™ concealment flanges.



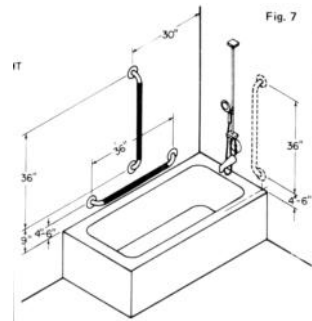
Safe T Ring™ Concealment Kit. An exclusive design utilizing a superior adhesive which holds the concealment ring directly to the mounting flange.



B has a baked on bone powdercoat finish over 304 stainless steel. Comes complete with Safe T Ring™ concealment flanges.



BGT has a baked on bone powdercoat finish with our exclusive Grip Tight™ surface and Safe T Ring™ concealment flanges.



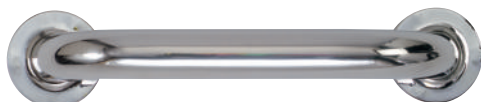
INSTALLATION example of a federal accessibility standard. (building codes may vary state-to-state, please check your local building codes)



S has a brushed stainless steel surface, hand polished to a beautiful satin finish with exposed flanges.



SC has a brushed stainless steel surface, hand polished to a beautiful satin finish with Safe T Ring™ concealment flanges.



MS is mirrored 304 stainless steel, hand polished to a chrome like appearance with Safe T Ring™ concealment flanges.



PB is 304 stainless steel, hand polished for a flawless appearance and PVD coated in a brass finish. Comes with Safe T Ring™ concealment flanges.



CP is 304 stainless steel, hand polished for a flawless appearance and PVD coated in a copper finish. Comes with Safe T Ring™ concealment flanges.



BZ is 304 stainless steel, hand polished for a flawless appearance and PVD coated in a bronze finish. Comes with Safe T Ring™ concealment flanges.



Safe T Bar™ installation with our polished brass #1024PB.

All SAFE T BARs are individually inspected and boxed to ensure quality. Mounting hardware included with concealment rings where applicable.



the non-slip bar
that doesn't slip.



SAFE T BAR, INC.
16325 Forest Blvd. No.
Hugo, MN 55038
1 800 444-8855

It's
SafeT Bar™

(651) 426-5774 · fax (651) 426-5227 · www.safetbar.com